



XLD Series Power Unit Installation Instructions

- 1) Installation of the XLD series power unit requires the proper connection of both the AC wires to the AC facility power, and the DC wires to the LED lighting system. **(Note: All electrical wiring should comply with local and national electrical codes. Installation should be performed by qualified electrical service personnel.)**
- 2) To access both the AC and DC power wiring and wiring compartments, remove the top cover by removing the 4 screws using a Philips screwdriver. Ensure that the white plastic washers on each screw are not lost during removal.
- 3) Install and secure the AC conduit pipe to the XLD power unit's ½ " knockout by using the proper conduit fitting hardware. The AC source wires should be protruding from the conduit pipe and into the XLD's AC wiring compartment.
(Note: For installation in outdoor or wet locations, liquid tight fittings and conduit must be used for proper NEMA 3 protection.)
- 4) Connect the AC source wires to the XLD power unit's AC input wires using the proper UL approved wire nuts. Refer to the rating label affixed on the XLD power unit for AC wire color codes. The **Black** wire from the XLD unit should connect to the incoming AC Line wire. The **White** wire from the XLD unit should connect to the incoming AC Neutral wire. Finally, the **Green** wire from the XLD unit should connect to the incoming AC Ground wire.
(Note: The XLD's complete metal case is referenced to AC ground, upon proper installation of AC input wires.)
- 5) Connect the XLD unit DC wires to the LED lighting system by connecting the DC wires to the LED lighting system input wires. The wire connections are made within the XLD's DC wiring compartment, using wire nuts, crimp terminals, wire-to-wire connectors, or any other type of electrical connection. Refer to the rating label affixed on the XLD power unit for DC wire color codes. The **Black** wires from the XLD unit are the DC negative side and should connect to the lighting system's DC negative input, '-'. The **Red** wires from the XLD unit are the DC positive side and should connect to the lighting system's DC positive input, '+'. The LED lighting system DC input wires can be secured to the XLD power unit by attaching conduit pipe and conduit fittings, or cord and cord fittings onto the XLD's DC side ½" knockout . Note: The output wires for each channel should not be interconnected.
- 6) Once all wiring is completed, turn on the AC supply to check for proper LED lighting system operation. Once proper operation is confirmed, turn off the AC supply and then re-install the top cover of the XLD power unit, using the 4 screws and Philips screwdriver. Ensure that the plastic washers are installed on each screw before re-installation. It is also important to ensure that all wiring is maintained within each wiring compartment to prevent wires from being pinched between the cover's gasket and the unit's case. **(Note: In outdoor installations, or any installation in wet locations, tighten the screws using a torque controlled screwdriver, with a torque setting of 4.0 to 6.0 inch pounds.)**

Gre Alpha Electronics Limited,

Address: Unit 501, 5/F, No. 16 Science Park West Avenue, Hong Kong Science Park, Shatin, Hong Kong.

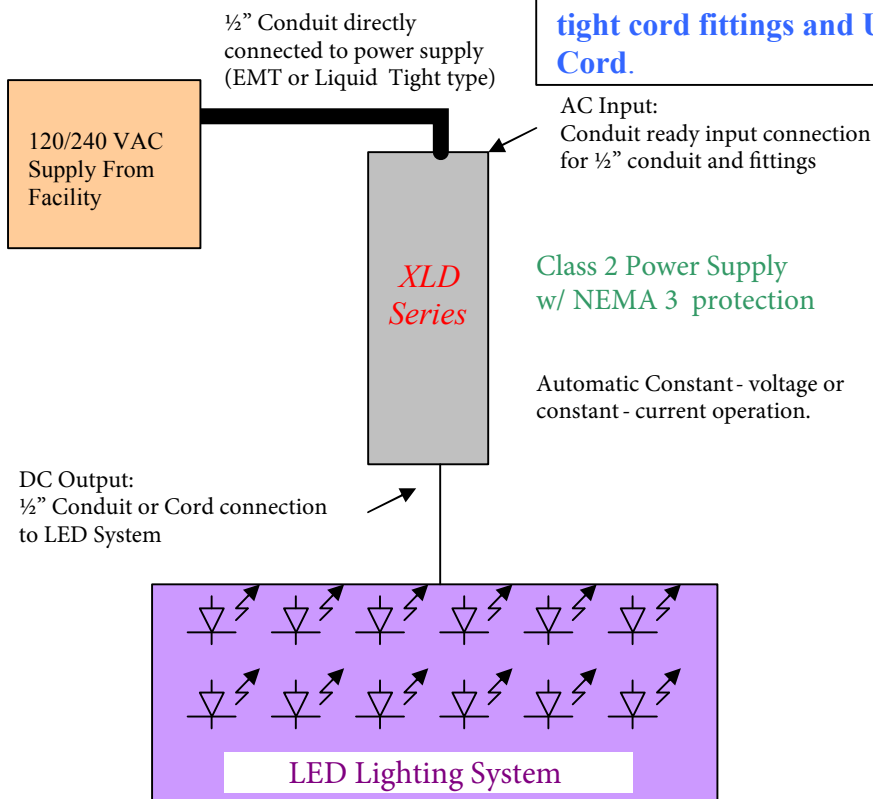
Tel: (852) 2423-3332

Fax: (852) 2423-3626

Website: www.grealpha.com



Typical Installation



Note: Heyco Liquid Tight Conduit and conduit fittings (or equivalent) required for installations requiring NEMA 3 protection. The DC Output side can also be used with liquid tight cord fittings and UL rated Cord.

Connection Information

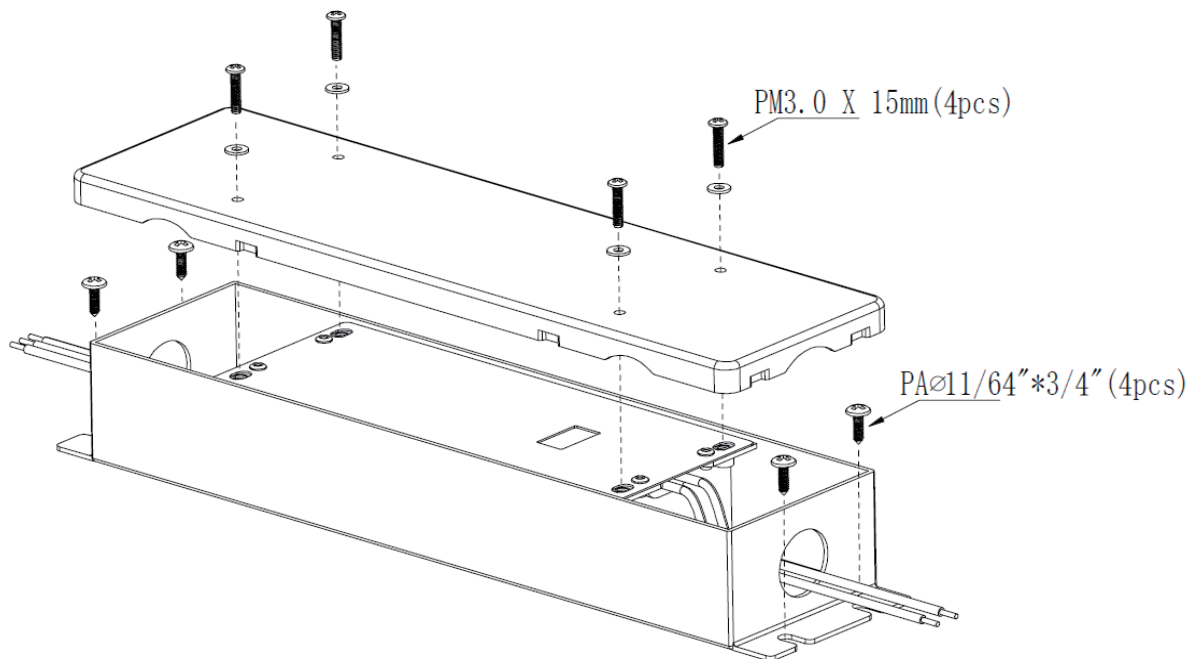
AC In:
 Line – Black Wire
 Neutral – White Wire
 Ground – Green Wire

DC Out:
 +V: Red Wires
 DC Gnd: Black Wires



Wiring Procedures

To access both the AC and DC wiring compartments, remove the top cover by removing the 4 screws using a Philips screwdriver. Ensure the white plastic washers on each screw are not lost during removal.



Can be mounted on wall,
on shelf, or under shelf

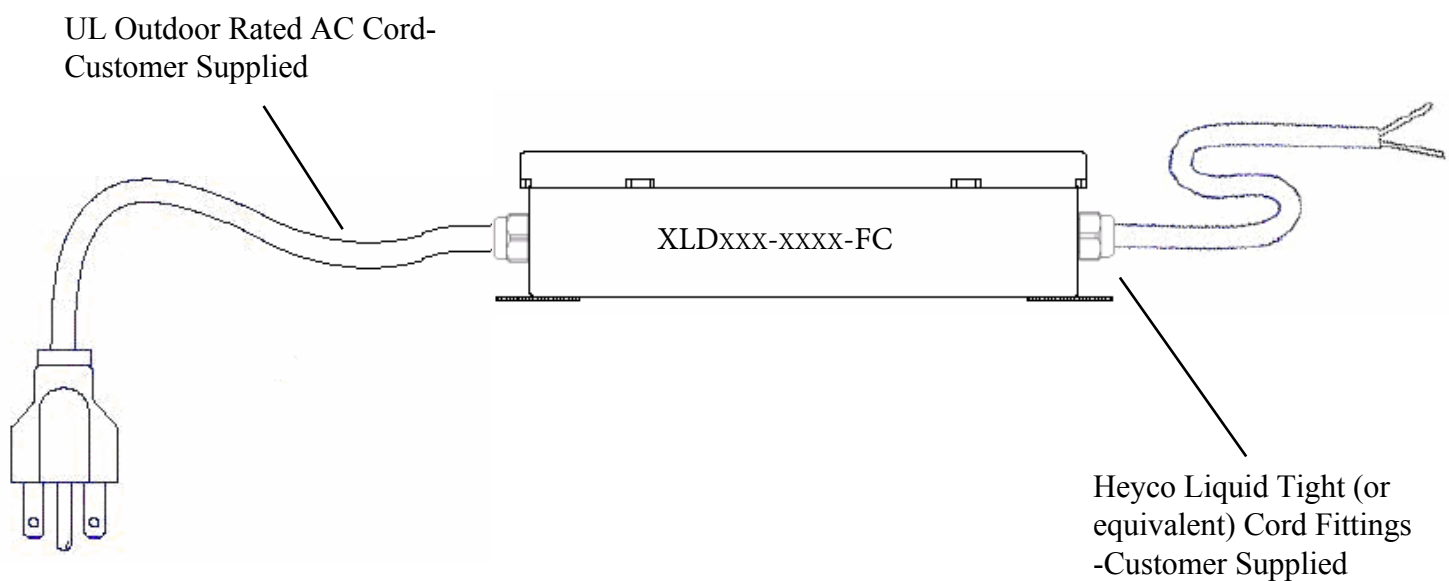
(Note: In outdoor installations, or any installation in wet locations, tighten the screws using a torque controlled screwdriver with a torque setting of 4.0 to 6.0 inch pounds.)

*Gre Alpha Electronics Limited,
Address: Unit 501, 5/F, No. 16 Science Park West Avenue, Hong Kong Science Park, Shatin, Hong Kong.
Tel: (852) 2423-3332
Fax: (852) 2423-3626
Website: www.grealpha.com*



XLD Series LED Driver Optional Installation

AC Cord Input and DC Cord Output



Note: All Installations must conform to UL, Local and National Electrical Codes. For NEMA 3 protection in outdoor installations, the use of Heyco liquid tight fittings (or equivalent) is required.